

FEATURES

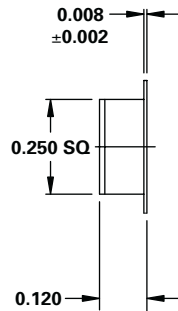
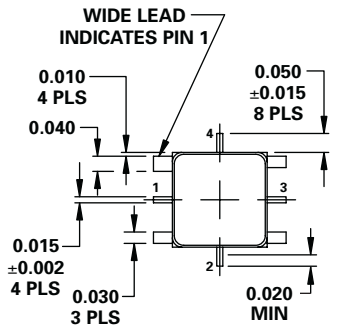
- 100 - 6000 MHz
- Dynamic Range -10 to +10 dBm
- Hysteresis 1.0 dB
- Input Flatness ± 1.0 dB



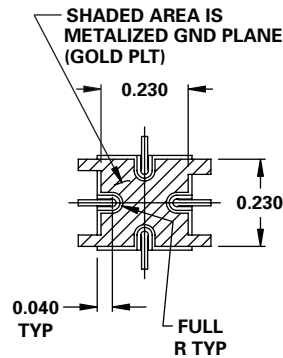
**MODEL NO.
CTD05076**

Threshold Detector

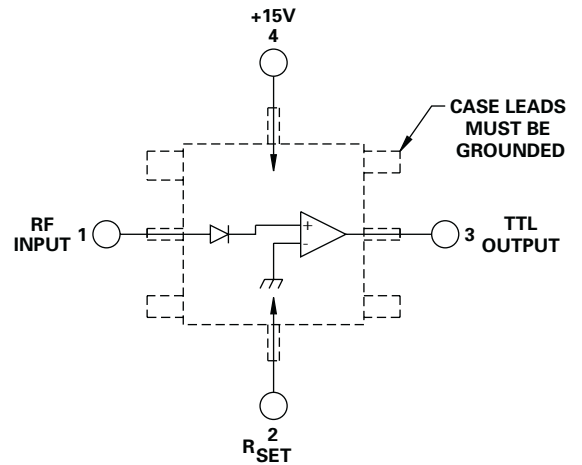
TD



GND PLANE AND BOTTOM SURFACE OF LEADS ARE FLUSH WITH SAME SURFACE



.xx = .02
.xxx = .010



GUARANTEED PERFORMANCE

Parameter	Min	Typ	Max	Units	Conditions
Operating Frequency	100		6000	MHz	
Dynamic Range	-10		+10	dBm	
RF Input Power			+15	dBm	
Propagation Delay		1.5	3	μ Sec	
Hysteresis		1.0		dB	
Temperature Stability			± 0.7 ± 1.0 ± 1.5	dB	At +10 dBm At 0 dBm At -10 dBm
Input Flatness	-1.0		+1.0	dB	
Rise Time			100	nSec	90% / 10% or 10% / 90% RF
Fall Time			250	nSec	90% / 10% or 10% / 90% RF
Input VSWR			2.0/1		
Output Current		3		mA	Output Short
		2		mA	VOL = +0.7 V
DC Current			15	mA	At +15 VDC
Operating Temperature	-55	+25	+85	$^{\circ}$ C	TA